

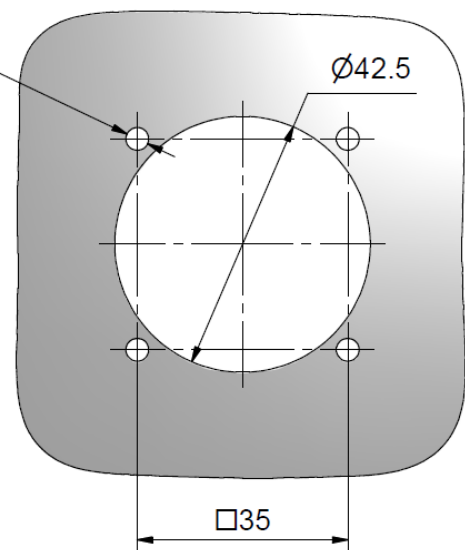
SK315 Series

Top mounted joystick



Exploded view of top mounted joystick

M3 or hole for
K35 Screws



Customer's panel mounting cut-out.
 M3 or self-drilling screws for thermoplastic (Ø3.5 / K35) are required for mounting. Self-drilling hole needs to be done as specified by manufacturer.
 Screw length depends on panel thickness.
 All panel cut-outs should be free from sharp edges that may damage the bellows and flat surface (plain). Important for sealing.
 Blind holes are required for a sealed solution.
 Without respecting these requirements GT Joysticks AG cannot give warranty.