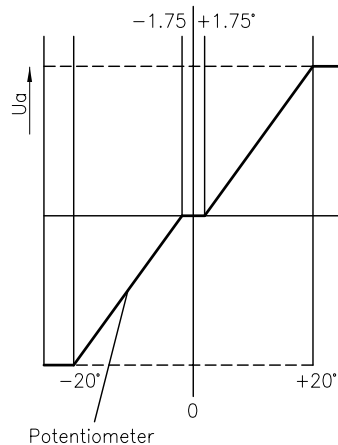


Output diagram



Description

Joystick type SK 60-0275	
Number of axes	2-axes, x-axis, y-axis
Operation by	Handle with pushbutton
Connector: DUBOX Walled Header	8-poles: 76384-308 2-poles: 76384-302
Mating connector: Dubox Housing Anti-rotation locking	8-poles: 65240-008 2-poles: 65240-002
Cross guidance	soft
Center tab	±1.75°
Switch function	none
Retaining spring	very strong Z-Nr. 60-112.02

Electrical characteristics

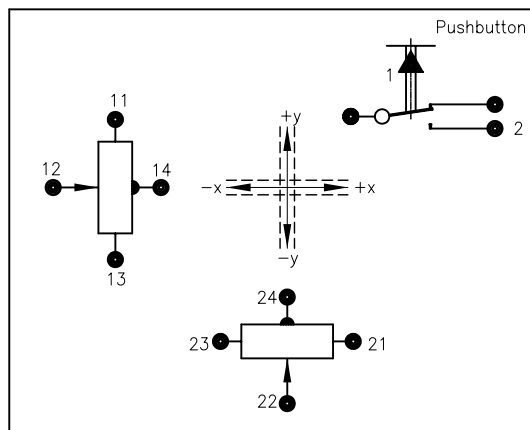
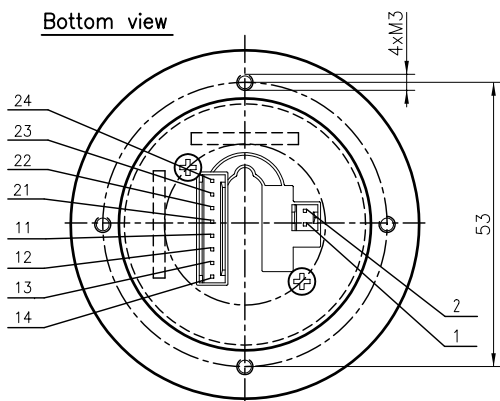
Resistance value	5 kOhm ± 20%
Power dissipation	0.2 Watt at 40° per axis
Contact rating	Zero potential difference between segments 5 V DC, 5 mA
Type of pushbutton	Mushroom button 404119 T&H
Pushbutton capacity	DC 30V 250mA

Axes	Potentiometer	Connector side
Direction	Colour/ number	Center tab
x-axis ↑ +x Wiper ↓ -x	21 green	24 grey
	22 blue	
	23 violet	
y-axis ↑ +y Wiper ↓ -y	11 yellow	14 brown
	12 orange	
	13 red	

Pushbutton

Switch	Contact	1	black
	open	2	white
	closed		

Bottom view



		Oberfläche	Maßstab 1:1	Position	Menge
		Datum	Name	Joystick	
		Bearb. 04.05.99	DM		
		Gepr.			
		Norm			
		GENGE & THOMA AG <small>CH-2543 Lengnau/Biel</small>			Blatt
		60-0275Ea			Bl
a	neues Layout	21.04.04	TZ		
Zust.	Änderungen	Datum	Name	Dateiname: E:\Dwg\SK60\60-0275E.dwg	