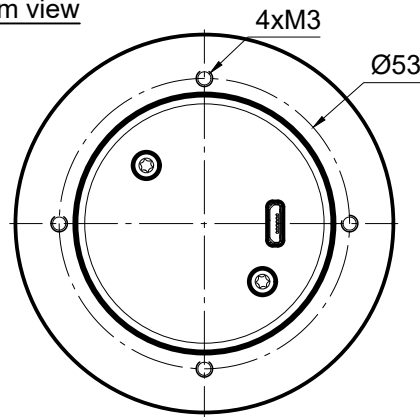
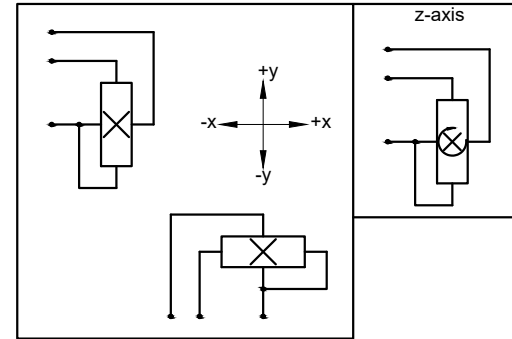


Bottom view



Description	
Joystick Type SK 60-01350	
Number of axes	3-axes, x-axis, y-axis, z-axis
Operation by	Aluminium handle with z-axis all axes with friction brake
Cross guidance	soft
Retaining spring	none
Connector	Micro USB type B
Electrical characteristics	
Operating voltage	5 V DC (bus-powered)
Sensor	Hall effect technology
Data communication	USB 2.0



		Maßstab 1:1		Position - Menge -	
		All dimensions in mm			
		Datum	Name	Joystick	
		Bearb. 07.06.23	Kiener M.		
		Gepr.			
		Norm			
				Genge & Thoma AG joysticks & sensors	
				60-01350	
				Blatt	
				Bl	
Idx	Änderungen	Datum	B'arb.	Gepr.	S:\Entwicklung\01_CAD-Daten\02_DWG\DWG_SK60\Typenzeichnungen\60-01350.dwg