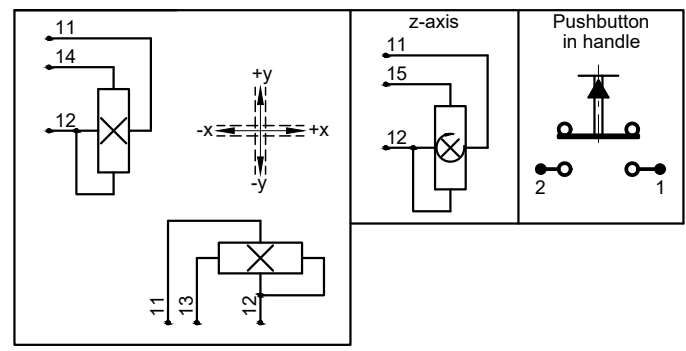


Description	
Joystick Type SK 60-01341	
Number of axes	3-axes, x-axis, y-axis, z-axis
Operation by	Handle with z-axis and pushbutton x-, y-axes with friction brake
Cross guidance	soft
Retaining spring	none
Connector:	8-poles: 76384-308
DUBOX Walled Header	
Mating connector:	8-poles: 65240-008
Dubox Housing	

Electrical characteristics	
Operating voltage	5V DC
Sensor	Hall effect technology
Type of switches	Short-stroke switch

Pin	
11	Supply voltage 5V DC
12	Ground
13	x (-x=0.5V, middle=2.5V, +x=4.5V)
14	y (-y=0.5V, middle=2.5V, +y=4.5V)
15	z (-z=0.5V, middle=2.5V, +z=4.5V)

Switch in handle		
Switch	Contact	2
	open	1



PRELIMINARY				Maßstab 1:1	Position -	Menge -
24.10.22				-	-	-
	Datum	Name	Joystick			
	Bearb. 24.10.22	Kiener M.				
	Gepr.					
	Norm					
Genge & Thoma AG joysticks & sensors			60-01341			Blatt -
						Bl
Zust.	Änderungen	Datum	Name	S:\Entwicklung\01_CAD-Daten\02_DWG\DWG_SK60\Typenzeichnungen\60-01341.dwg		