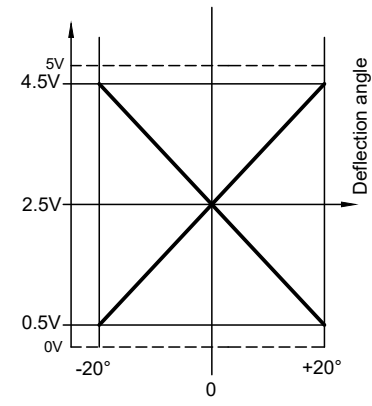
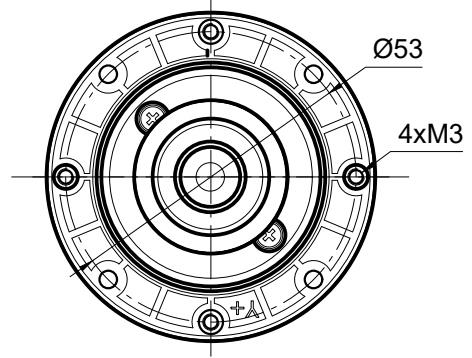


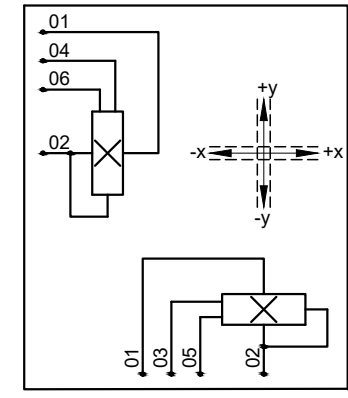
Output diagram



Bottom view



Description		
Joystick type SK 60-01279		
Number of axes	2-axes, x-axis, y-axis	
Operation by	Handle	
Cross guidance	soft	
Switch function	none	
Retaining spring	strong, Z-Nr. 50-116	
Cable	Aco Colorflex XY, 6 x 0.14 mm <sup>2</sup>	
Electrical characteristics		
Operating voltage	5 V DC	
Sensor	Hall effect technology	
Pushbutton capacity	24 V DC, 3A	
Pin		
01	white	Supply voltage 5 V DC
02	brown	Ground
03	green	x1 (-x=0.5V, middle=2.5V, +x=4.5V)
04	yellow	y1 (-y=0.5V, middle=2.5V, +y=4.5V)
05	grey	x2 (-x=4.5V, middle=2.5V, +x=0.5V)
06	pink	y2 (-y=4.5V, middle=2.5V, +y=0.5V)



		Maßstab 1:1	Position -	Menge -
		Joystick		
		60-01279		
		Blatt -		
		Bl		
Idx	Änderungen	Datum	B'arb.	Gepr.
		Genge & Thoma AG joysticks & sensors		
		S:\Entwicklung\01_CAD-Daten\02_DWG\DWG_SK60\Typenzeichnungen\60-01279.dwg		