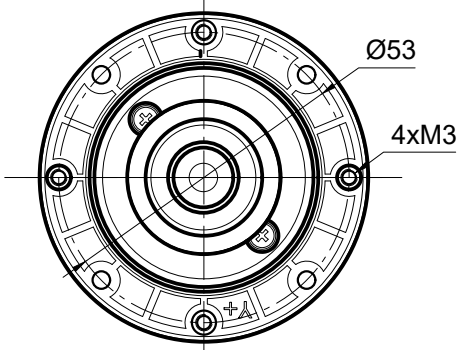
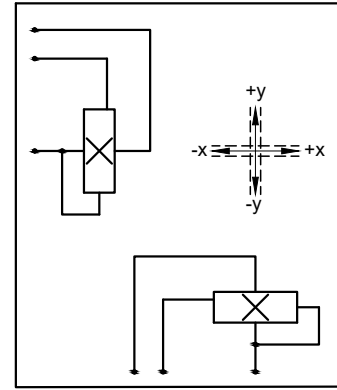


Bottom view



Description		
Joystick type SK 60-01278		
Number of axes	2-axes, x-, y-axis	
Operation by	Rubber bellow	
Cross guidance	soft	
Switch function	none	
Retaining spring	strong, Z-Nr. 50-116	
Cable	Aco Colorflex XY, 4 x 0,34 mm ² , DIN47100	
Electrical characteristics		
Operating voltage	8-36 V DC	
Sensor	Hall effect technology	
Pin		
01	Ground	white
02	CAN_L	brown
03	CAN_H	green
04	VCC (8-36V Supply)	yellow
Parameters		
G&T P/N	60-01278	
Data communication	CANopen	
CAN ID	3	
Baudrate	250 kbit/s	



Maßstab 1:1		Position - Menge -													
All dimensions in mm															
<table border="1"> <thead> <tr> <th></th> <th>Datum</th> <th>Name</th> </tr> </thead> <tbody> <tr> <td>Bearb.</td> <td>29.10.20</td> <td>Kiener M.</td> </tr> <tr> <td>Gepr.</td> <td>22.12.22</td> <td>AG</td> </tr> <tr> <td>Norm</td> <td></td> <td></td> </tr> </tbody> </table>			Datum	Name	Bearb.	29.10.20	Kiener M.	Gepr.	22.12.22	AG	Norm			<p>Joystick</p>	
	Datum	Name													
Bearb.	29.10.20	Kiener M.													
Gepr.	22.12.22	AG													
Norm															
<p>Genge & Thoma AG joysticks & sensors</p>			<p>60-01278</p>												
			<p>Blatt -</p>												
<p>Idx Änderungen Datum B'arb. Gepr. S:\Entwicklung\01_CAD-Daten\02_DWG\DWG_SK60\Typenzeichnungen\60-01278.dwg</p>															