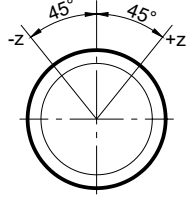
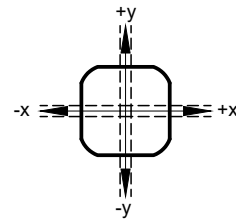


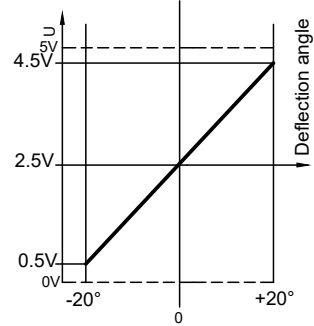
Rotation angle (z-axis)



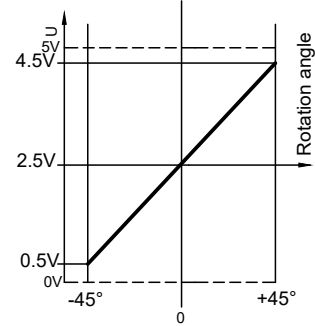
Gate (Top view)



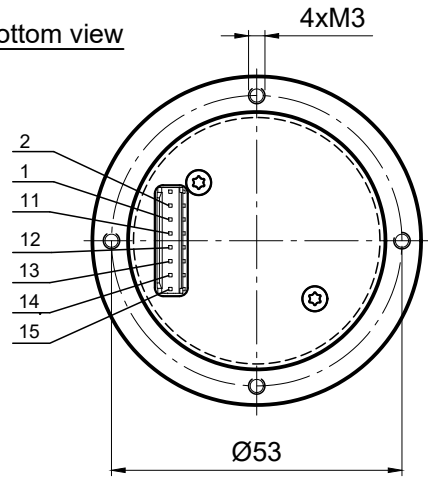
Output diagram x-, y-axis



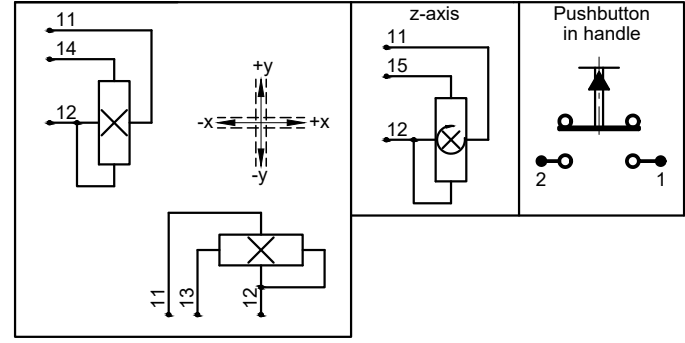
Output diagram z-axis



Bottom view



Description		
Joystick Type SK 60-01106		
Number of axes	3-axes, x-axis, y-axis, z-axis	
Operation by	Handle with z-axis and pushbutton	
Cross guidance	soft	
Retaining spring	strong Z-Nr. 50-116	
Connector: DUBOX Walled Header	8-poles: 76384-308	
Mating connector: Dubox Housing	8-poles: 65240-008	
Electrical characteristics		
Operating voltage	5V DC	
Sensor	Hall effect technology	
Type of switches	Short-stroke switch	
Pin		
11	Supply voltage 5V DC	
12	Ground	
13	x (-x=0.5V, middle=2.5V, +x=4.5V)	
14	y (-y=0.5V, middle=2.5V, +y=4.5V)	
15	z (-z=0.5V, middle=2.5V, +z=4.5V)	
Switch in handle		
Switch	Contact	2
	open	1



		Maßstab 1:1	Position -	Menge -								
		<p>Joystick</p>										
<table border="1"> <tr> <td>Datum</td> <td>Name</td> </tr> <tr> <td>Bearb. 08.10.15</td> <td>Kiener M.</td> </tr> <tr> <td>Gepr. 08.03.23</td> <td>AG</td> </tr> <tr> <td>Norm</td> <td></td> </tr> </table>		Datum	Name	Bearb. 08.10.15	Kiener M.	Gepr. 08.03.23	AG	Norm		<p>60-01106</p>		
Datum	Name											
Bearb. 08.10.15	Kiener M.											
Gepr. 08.03.23	AG											
Norm												
<p>Genge & Thoma AG joysticks & sensors</p>		<p>Blatt -</p>		<p>Bl -</p>								
Zust.	Änderungen	Datum	Name	S:\Entwicklung\01_CAD-Daten\02_DWG\DWG_SK60\Typenzeichnungen\60-01106.dwg								