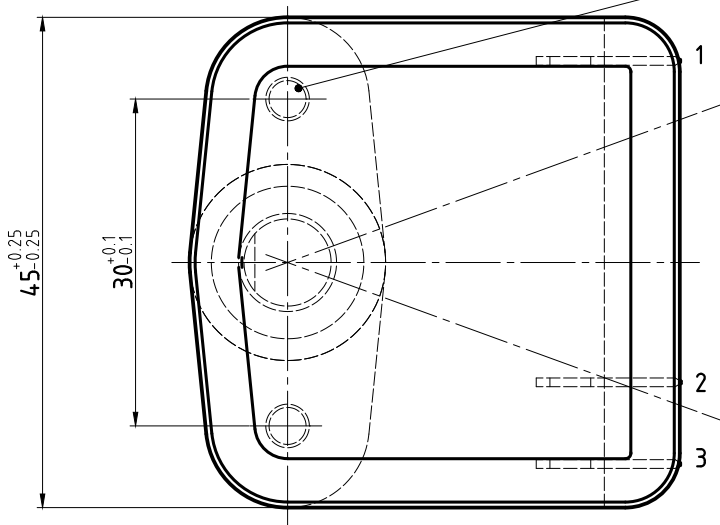
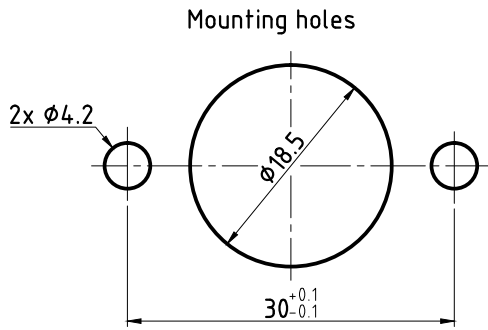
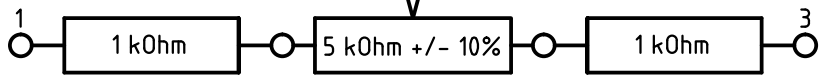
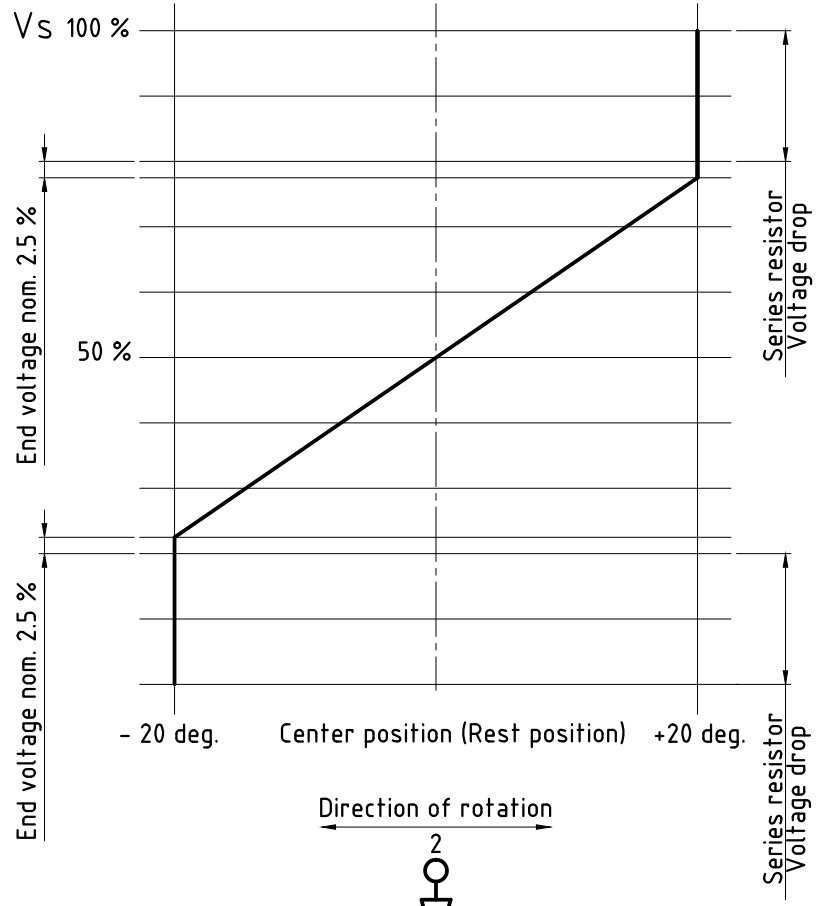


3 Quick disconnect terminals 2.8x0.8 mm
(Flat tab matching with flat receptacles of the fitting size)



Caution!
Fixation should be made with the delivered self furrowing PT-screws WN1412 K 40, length 12mm, Inox max. penetrating depth: 7.5mm Bossard Int. Inc. Std. BN 13579

Output voltage versus angle of rotation



Metric dimensions

Ref.: Z.-Nr. 45-023				Oberfläche		Maßstab 2:1		Position Menge	
				Datum Name		WP 45 CP with Series Resistors Type drawing			
				Bearb. 20.10.2003 DM					
				Gepr. Norm					
				GENGE & THOMA AG OH-2543 Lengnau/Biel		45-025a Blatt			
a	AEN-16-029	12.12.16	MK	Dateiname D:\Dwg\WP45\45-025a.dwg		Bl			
Zust. Änderung		Datum Name		Dateiname					