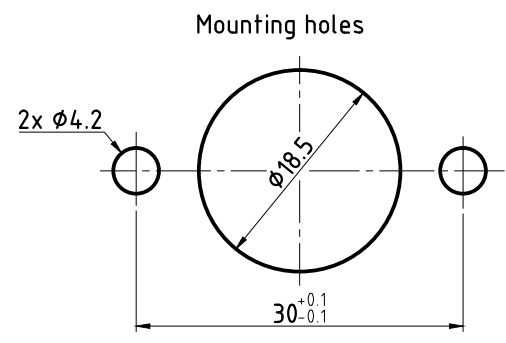
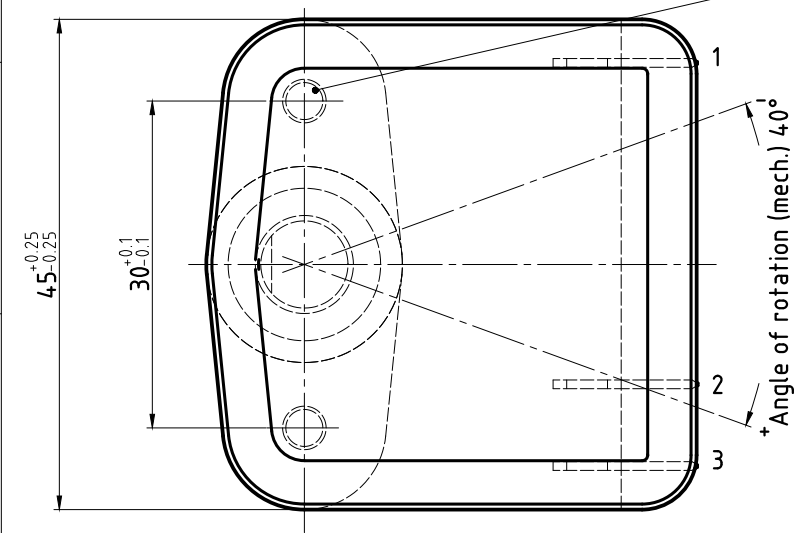


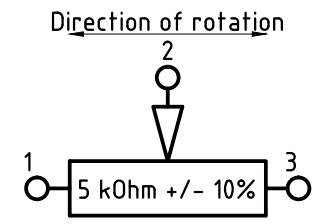
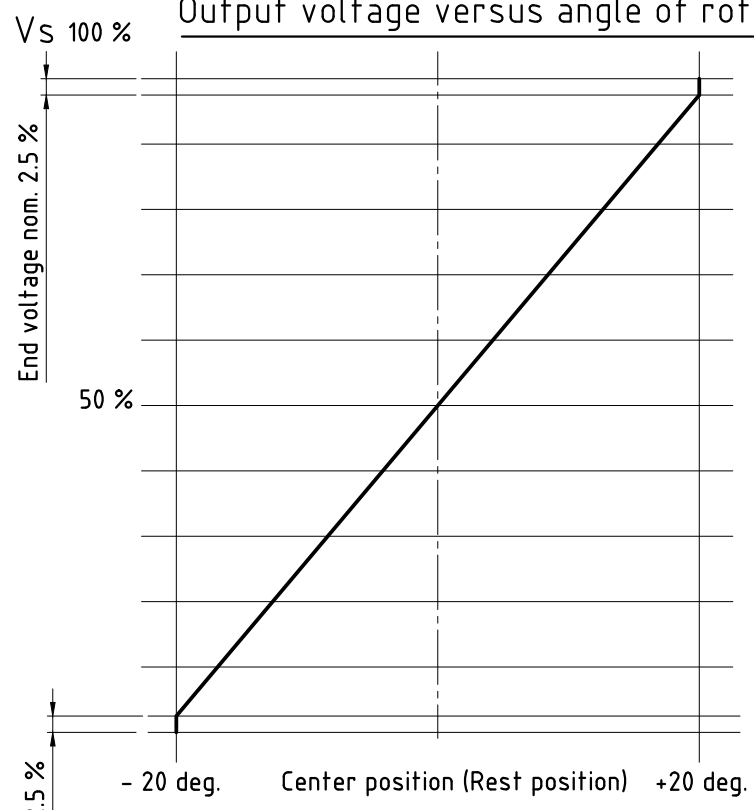
3 Quick disconnect terminals 2.8x0.8mm  
(Flat tab matching with flat receptacles of the fitting size)



**Caution !**  
Fixation should be made with the delivered self furrowing PT-screws WN1412 K 40, length 12mm, Inox max. penetrating depth: 7.5mm Bossard Int. Inc. Std. BN 13579



Output voltage versus angle of rotation



				Oberfläche	Maßstab 2:1	Position	Menge 1
				Datum	Name	<b>Rotary potentiometer</b>	
				Bearb. 03.03.2000	Th		
				Gepr.			
				Norm			
d	AEN-16-029	12.12.16	MK	<b>GENGE &amp; THOMA AG</b> <small>OH-2543 Lengnau/Biel</small>		<b>45-020d</b>	
c	Ua in Vs, 3.25 in 2.5%	19.1.2000	TH				
b	Gehäuse schräg	22.12.1998	TH				
a	Fläche zugefügt	18.12.1998	TH			Blatt	
Zust.	Anderung	Datum	Name	Dateiname	D:\Dwg	WP45145-020d.dwg	Bl