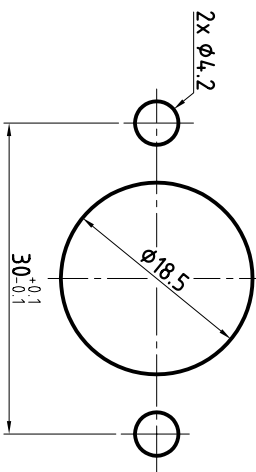
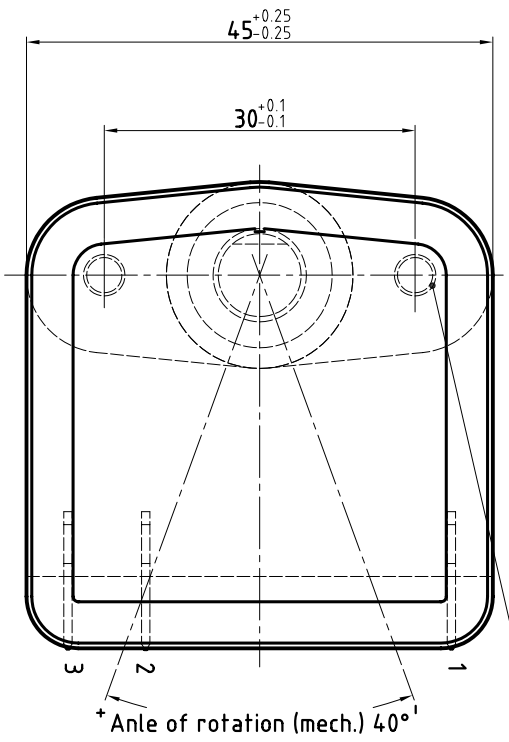


3 Quick disconnect terminals 2.8x0.8 mm (Flat tab matching with flat receptacles of the fitting size)

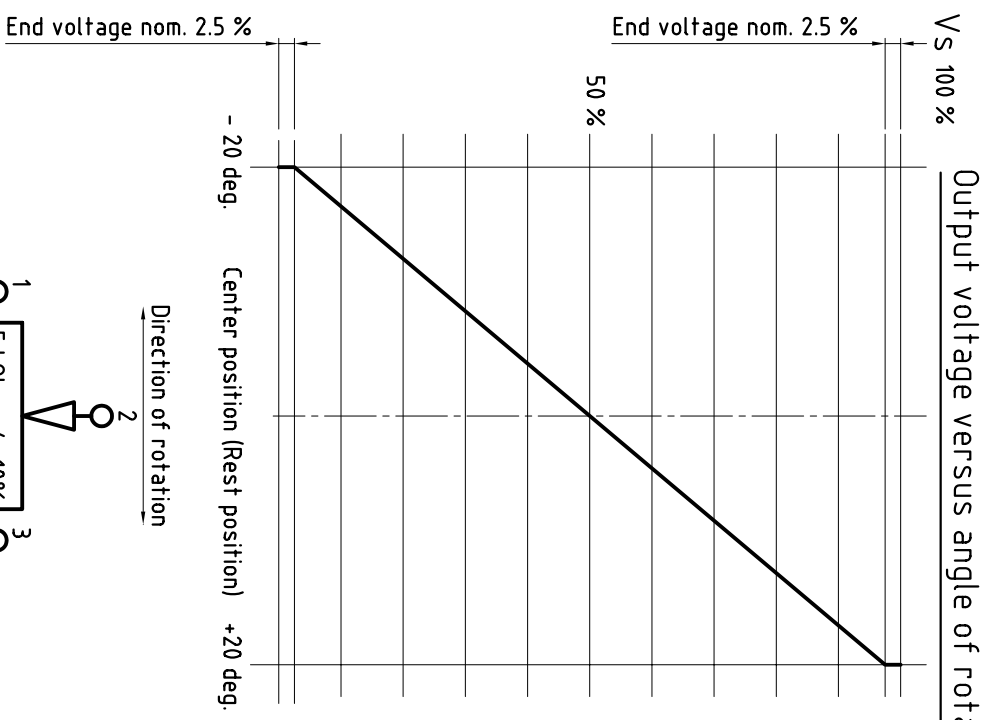


Mounting holes



Anle of rotation (mech.) 40°

Caution!
 Fixation should be made with the delivered self furrowing PT-screws WN 1412 K 4.0, length 12mm, inox penetrating depth: 7.5mm
 Bossard Int. Inc. Std. BN 13579



Metric dimensions

Ref.: Z.-Nr. 45-007 (6213)		Oberfläche		Maßstab	2:1	Position	-	Menge	1
c		Use in vs. 3.25 in 25%	19.01.00	TH	Name		WP 45 CP with strong Spring		
b		flat	12.03.99	TH	Bearb.		12.05.98	Th	
a		Housing bottom side	22.12.98	TH	Gepr.		Norm		
Zust.		Änderung	Datum	Name	Datum		Dateiname: D:\DWG\WP45\45-007.dwg		
					Dateiname: D:\DWG\WP45\45-007.dwg		45-007E c		
					Dateiname: D:\DWG\WP45\45-007.dwg		Type drawing		
					Dateiname: D:\DWG\WP45\45-007.dwg		Blatt		
					Dateiname: D:\DWG\WP45\45-007.dwg		-		
					Dateiname: D:\DWG\WP45\45-007.dwg		Bl		
					Dateiname: D:\DWG\WP45\45-007.dwg		19.01.2000		

WP 45 CP with strong Spring
 Type drawing
45-007E c