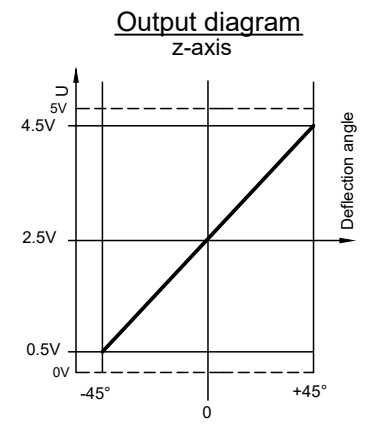
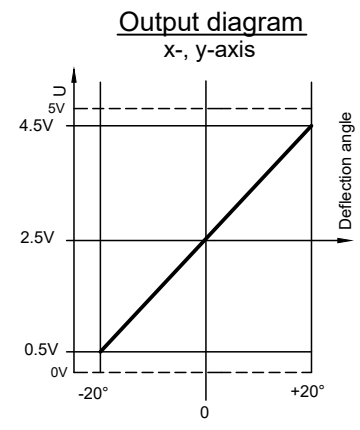
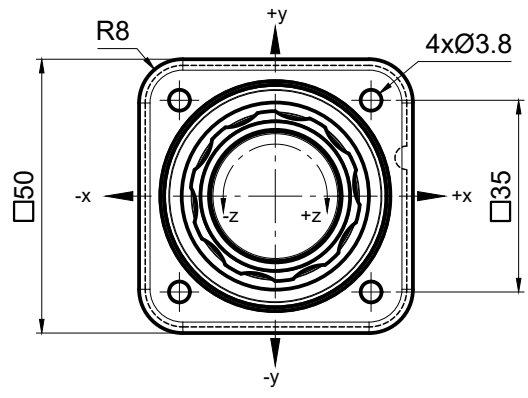


Description	
Joystick type 315-0164	
Number of axes	3-axes, x-axis, y-axis, z-axis
Operation by	handle with z-axis ( $\pm 45^\circ$ ) and pushbutton
Cross guidance	soft
Retaining spring	normal, Z-Nr. 60-112
Connector	Minitek IDC Receptacle, 8-poles
Electrical characteristics	
Operating voltage	5 V DC
Sensor	Hall effect technology
Pin	
01	Supply voltage
02	x (-x=0.5V, middle=2.5V, +x=4.5V)
03	Ground
04	y (-y=0.5V, middle=2.5V, +y=4.5V)
05	Do not use
06	Pushbutton output
07	Do not use
08	z (-z=0.5V, middle=2.5V, +z=4.5V)



<b>PRELIMINARY</b>		Maßstab 1:1	Position - Menge -
05.08.22		All dimensions in mm	
	Datum	Name	Joystick
	Bearb. 05.08.22	Kiener M.	
	Gepr.		
	Norm		
Genge & Thoma AG joysticks & sensors		315-0164	
Blatt			-
Bl			
Idx	Änderungen	Datum	B'arb., Gepr.
S:\Entwicklung\01_CAD-Daten\02_DWG\Dwg_SK315\Typenzeichnungen\315-0164.dwg			