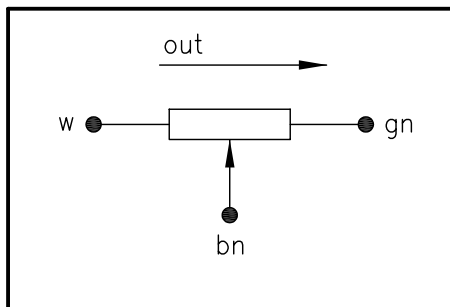


Cu-flex PUR/PUR, 3x0.5mm<sup>2</sup>  
 G&T Part No. 06-138  
 Cable length: 1m or on request

Measuring range	25	50	100	150
R (kOhm)	1	5	5	5
L	137.5	162.5	212.5	262.5
Mech.stroke	29	54	104	154

Removing of the hex-nut is not permitted.

**Caution:** The shielding is not connected to the housing.  
 The user has to take care of the correct grounding.



Pos.	Menge	Z.Nummer:	Material:	Behandlung:				
Änderungen:				28-001E				
a	Kabel gewechs., 2.97	b	Kabel 3x0.5mm2, farbcod., 7.04	c				
d		e		f				
<b>GENGE &amp; THOMA AG</b> CH-2543 Lengnau/Biel		Linear motion transducer (shielded) HP 28 CP		gez.: 02.11.94 DM				
				gepr.:				
		28-001E		Masstab: 1:1				
				<table border="1"> <tr> <td>a</td> <td>b</td> </tr> <tr> <td></td> <td></td> </tr> </table>	a	b		
a	b							