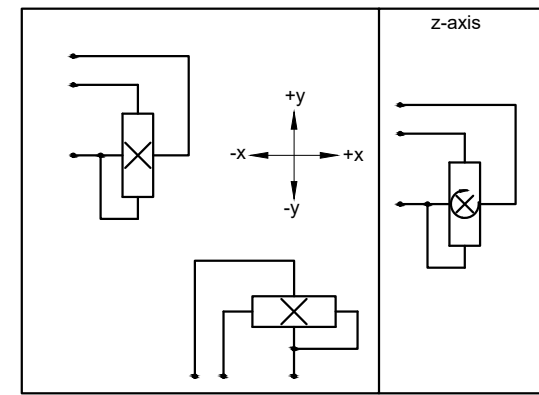
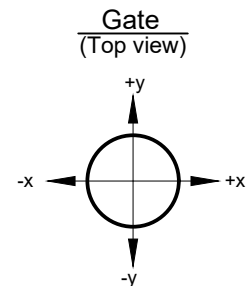


Description	
Jog-Dial type 225-013	
Number of axes	3-axes, x-, y-, z-axis
Operation by	knob with z-axis (fully rotatable)
Pushbutton	entire knob pushable (Travel: 0.5mm)
Cross guidance	none
Retaining spring	Strong, P/N: 200457
Detents	z-axis: 20 detents (18°)
Connector	Molex PicoBlade 4-pin
Electrical characteristics	
Operating voltage	3.1-5.25 V DC
Sensor	Hall effect technology
Data communication	I ² C-bus
Connector pinout	
1	GND
2	SDA
3	SCL
4	VCC



				Maßstab 1:1		Position - Menge -	
				All dimensions in mm			
				Datum		Name	
				Bearb. 09.03.20		Kiener M.	
				Gepr. 09.10.20		AG	
				Norm			
				RCC			
				Genge & Thoma AG		Blatt	
				joysticks & sensors		-	
				21.11.23		225-013b	
				07.06.23		Bl	
				GJ			
				GJ			
				S:\Entwicklung\01_CAD-Daten\02_DWG\Dwg_SK225\Typenzeichnungen\225-013.dwg			
				Änderungen			
				Datum			
				B'arb.			
				Gepr.			