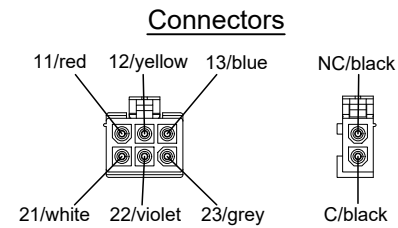
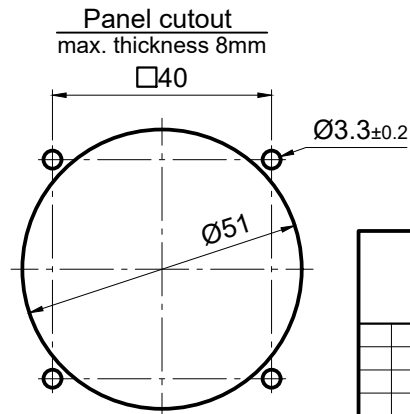
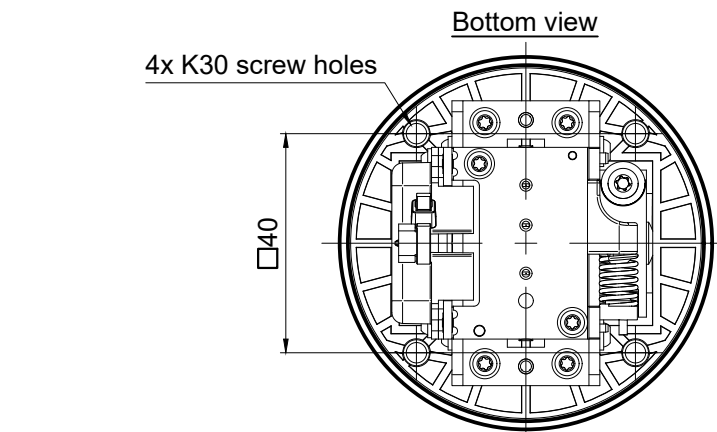
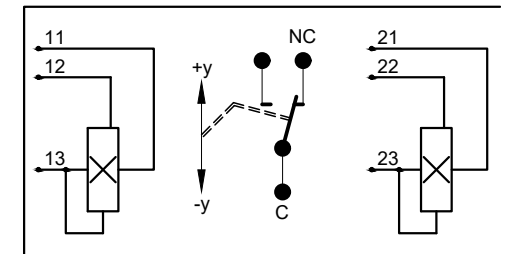
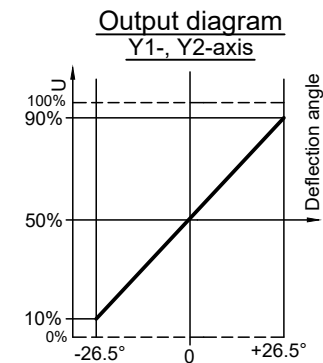


Joystick type SK 216-012			
Number of axes		1-axis, y-axis	
Operation by		Handle with center-lock and friction brake	
Connector:		Mat N Lok Tyco 172339-1 (6-poles) Mat N Lok Tyco 172336-1 (2-poles)	
Electrical characteristics			
Operating voltage		5 V DC	
Sensor		Hall effect technology	
Switch function		Microswitch normally closed	
Pin			
11	Supply voltage 5 V DC	21	Supply voltage 5 V DC
12	y1 (-y=0.5V, middle=2.5V, +y=4.5V)	22	y2 (-y=0.5V, middle=2.5V, +y=4.5V)
13	Ground	23	Ground



		Maßstab 1:1		Position - Menge -	
		All dimensions in mm			
		Datum		Name	
		Bearb. 07.07.21		Kiener M.	
		Gepr. 30.09.21		GSC	
		Norm			
		EAO AG CH-4601 Ollten		eao	
				09-03.174C4.012 a	
				Blatt -	
a AEN-24-002		27.03.24 MK GJ		Bl -	
Idx Änderungen		Datum B'arb. Gepr.		S:\Entwicklung\01_CAD-Daten\02_DWG\DWG_SK216\Typenzeichnungen\216-012a.dwg	