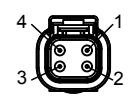
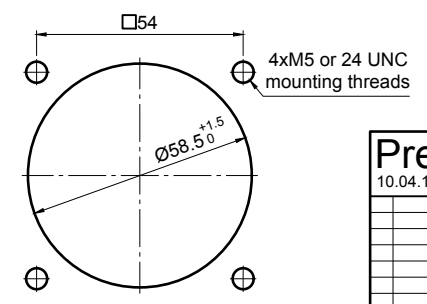


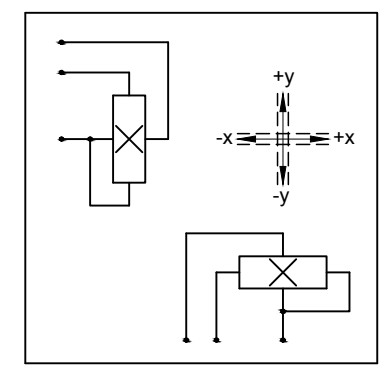
Connectors view



Mounting pattern



| Description | |
|----------------------------|--|
| Joystick type 212-021 | |
| Number of axes | 2-axis, x-, y-axis |
| Operation by | Multifunction handle |
| Cross guidance | soft |
| Retaining spring | normal, P/N: 200385 |
| Connector: | Deutsch DTM04-4P (4 poles) P/N: 100604 |
| Electrical characteristics | |
| Operating voltage | 8-36 V DC |
| Sensor | Hall effect technology |
| Data communication | J1939 / 250 kbit/s |
| CAN ID | 1 |
| Safety applications | Safety relevant applications may need special features not described in this sheet |
| Pin | |
| 1 | VCC (8-36V DC) |
| 2 | CAN-H |
| 3 | CAN-L |
| 4 | GND |



| | | | | |
|--|-------|-------------|------------|---------|
| Preliminary | | Maßstab 1:1 | Position - | Menge - |
| 10.04.19 | | | | |
| Bearb. | Datum | Name | Joystick | |
| 10.04.19 | | Kiener M. | | |
| Gepr. | | | | |
| Norm | | | | |
| Genge & Thoma AG joysticks & sensors | | | 212-021 | |
| Blatt - | | | Bl | |
| Idx Änderungen Datum B'arb Gepr S:\Entwicklung\01_CAD-Daten\02_DWG\DWg_SK212Typenzeichnungen\212-021.dwg | | | | |