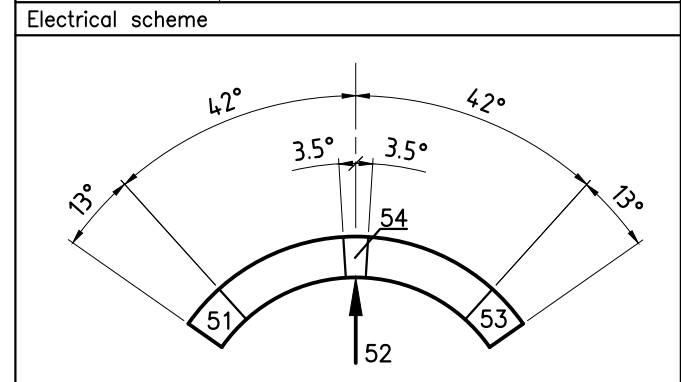
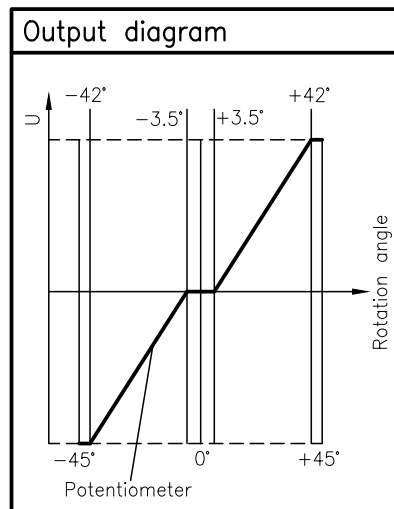
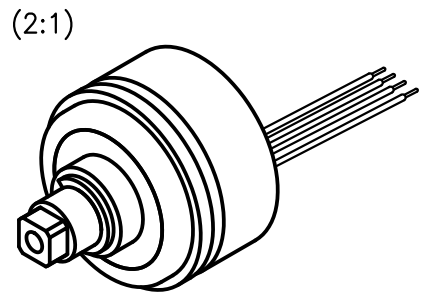


Description	
Rotary potentiometer type DP 20-054	
Operation by	via axis $\phi 6$ with square
Retaining spring	normal Z-Nr. 20-507
Rotation angle	$\pm 45^\circ$
Detent	-
Center tab	$\pm 3.5^\circ$
Connection	Braid ET 2819 / Art. Nr. 000561

Electrical characteristics	
Resistance value	5 kOhm $\pm 20\%$
Power dissipation	0.2 Watt at $40^\circ\text{C}$
Operating voltage	max. 30V DC



Connections	Color
51	brown
52	red
53	orange
54	yellow



				Oberfläche	Maßstab 5:1	Position	Menge
				Datum	Name	<b>Rotary potentiometer</b>	
				Bearb. 04.02.08	TZ		
				Gepr.			
				Norm			
				<b>GENGE &amp; THOMA AG</b>		<b>20-054Ea</b>	
				OH-2543 Lengnau/Biel			
a	AEN-15-005	19.06.15	MK	Dateiname: E:\DWG\DP20\20-054Ea.dwg		Blatt	
Zust. Änderungen		Datum	Name			Bl	