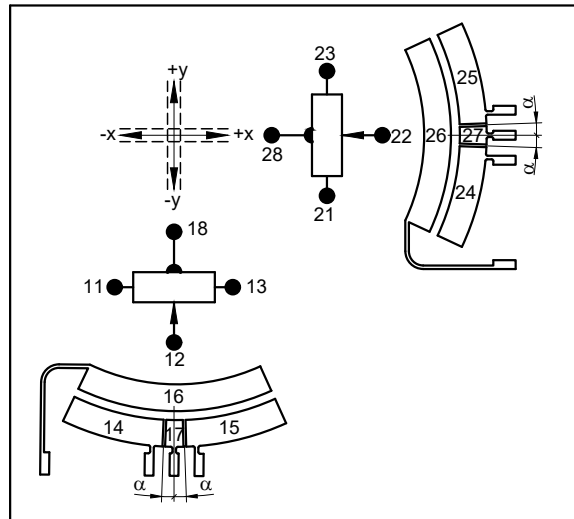
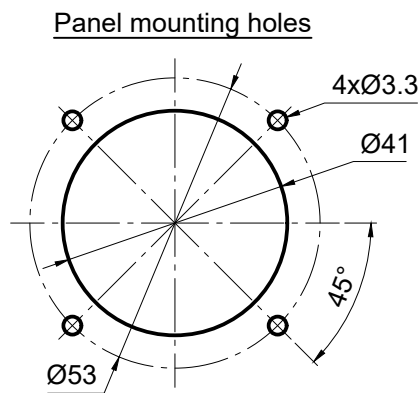


Description					
Joystick Type SK 197-0128					
Number of axes	2-axes, x-, y-axis				
Operation by	Rubber bellow				
Connector	Micro-Match, Female-on-Board Connector 2x 8-poles: P/N: 338069-8				
Cross guidance	soft				
Center tab	±1.75°				
Retaining spring	Middle, P/N: 60-112.03				
Switch function	1-1-1 per axis				
Switchpoint α	±2°				
Mechanical detents	5-1-5 per axis				
Electrical characteristics					
Resistance value	5 kOhm ± 20%				
Power dissipation	0.2 Watt at 40°C per axis				
Contact rating	Zero potential difference between segments 5 V DC, 5mA				
Operating voltage	30V DC max.				
Axes	Potentiometer	Switch function			
	Direction	Colour/ number	Center tab	Joystick in mid-position	
x-axis	↑ +x	13	18	15	open
	Wiper	12		16	17
	↓ -x	11		14	open
y-axis	↑ +y	23	28	25	open
	Wiper	22		26	27
	↓ -y	21		24	open



		Maßstab 1:1	Position -	Menge -
All dimensions in mm				
Datum Name Bearb. 16.12.24 jub Gepr.		Joystick		
		197-0128		Blatt - Bl
S:\Entwicklung\01_CAD-Daten\02_DWG\02_SK197\Typenzeichnungen\197-0128.dwg				