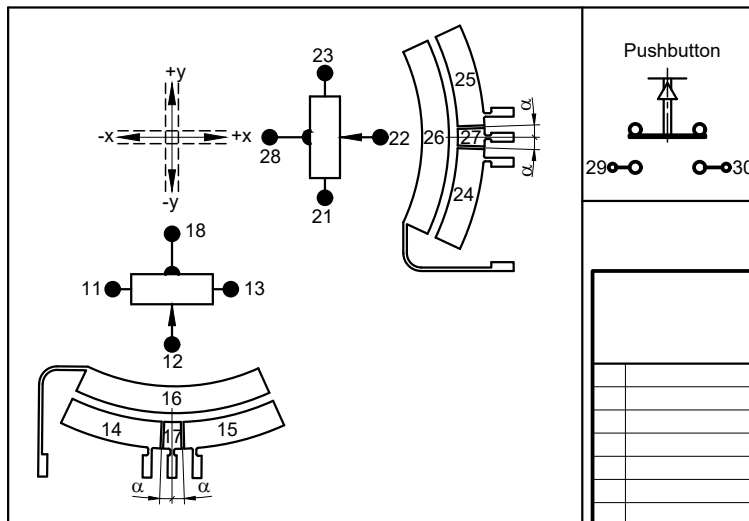
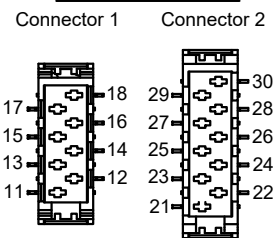
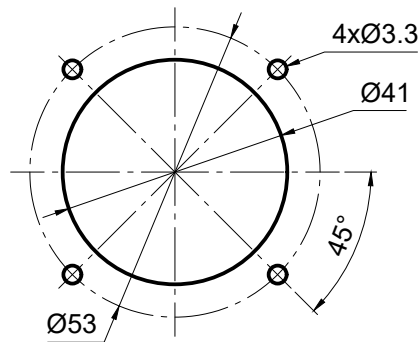


Pin assignment



Panel mounting holes



Description					
Joystick Type SK 197-0126					
Number of axes	2-axes, x-, y-axis				
Operation by	Rubber bellow with pushbutton				
Connector	Micro-Match, Female-on-Board Connector 1x 8-poles: P/N: 338069-8 1x 10-poles: P/N: 0-338069-1				
Cross guidance	soft				
Center tab	±1.75°				
Retaining spring	Middle, P/N: 60-112.03				
Switch function	1-1-1 per axis				
Switchpoint α	±2°				
Mechanical detents	5-1-5 per axis				
Electrical characteristics					
Resistance value	5 kOhm ± 20%				
Power dissipation	0.2 Watt at 40°C per axis				
Contact rating	Zero potential difference between segments 5 V DC, 5mA				
Operating voltage	30V DC max.				
Pushbutton capacity	Max. 35V, 100mA				
Axes	Potentiometer	Switch function			
	Direction	Colour/number	Center tab	Joystick in mid-position	
x-axis	↑ +x	13		15	open
	Wiper	12	18	16	17
	↓ -x	11		14	open
y-axis	↑ +y	23		25	open
	Wiper	22	28	26	27
	↓ -y	21		24	open

		Maßstab 1:1 Position - Menge -
Datum Bearb. 22.10.22 Gepr. 05.03.24		Name Kiener M. VO
		Joystick 197-0126
S:\Entwicklung\01_CAD-Daten\02_DWG\Dwg_SK197\Typenzeichnungen\197-0126.dwg		Blatt - Bl