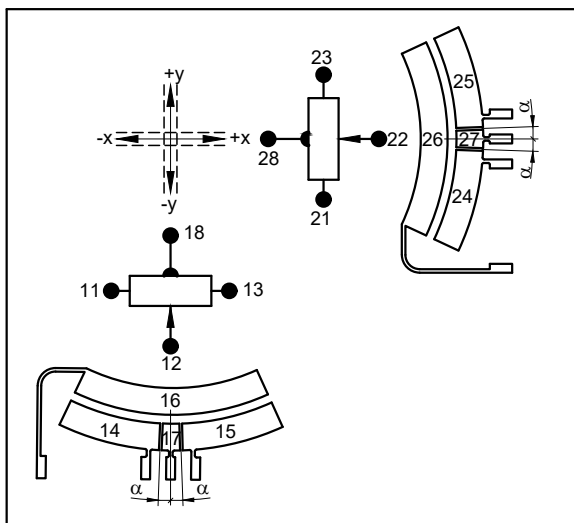
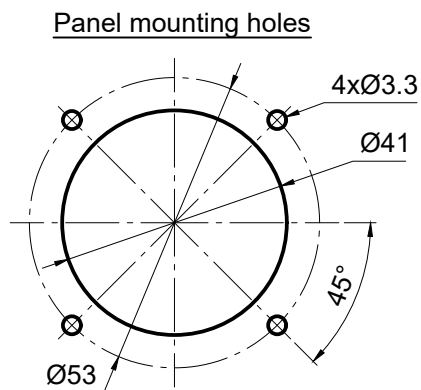


Description	
Joystick Type SK 197-0123	
Number of axes	2-axes, x-, y-axis
Operation by	Rubber bellow
Connector	Micro-Match, Female-on-Board Connector 2x 8-poles: P/N: 338069-8
Cross guidance	soft
Center tab	±1.75°
Retaining spring	Middle, P/N: 60-112.03
Switch function	1-1-1 per axis
Switchpoint α	±2°
Mechanical detents	2-1-2 per axis

Electrical characteristics					
Resistance value	5 kOhm ± 20%				
Power dissipation	0.2 Watt at 40°C per axis				
Contact rating	Zero potential difference between segments 5 V DC, 5mA				
Operating voltage	30V DC max.				
Axes	Potentiometer	Switch function			
	Direction	Colour/number	Center tab	Joystick in mid-position	
x-axis	↑ +x	13	18	15	open
	Wiper	12		16	17
	↓ -x	11		14	open
y-axis	↑ +y	23	28	25	open
	Wiper	22		26	27
	↓ -y	21		24	open



		Maßstab 1:1	Position -	Menge -
All dimensions in mm				
Datum Name Bearb. 20.10.22 Kiener M. Gepr. 05.03.24 VO		Joystick		
joysticks + sensors Erlenstrasse 32 CH-2555 Brigg Switzerland +41 32 652 33 30 info@gjosticks.ch www.gjosticks.ch		197-0123		Blatt -
-	output Diagram erweitert	17.03.26	jub	seb
Idx	Änderungen	Datum	B'arb.	Gepr.

