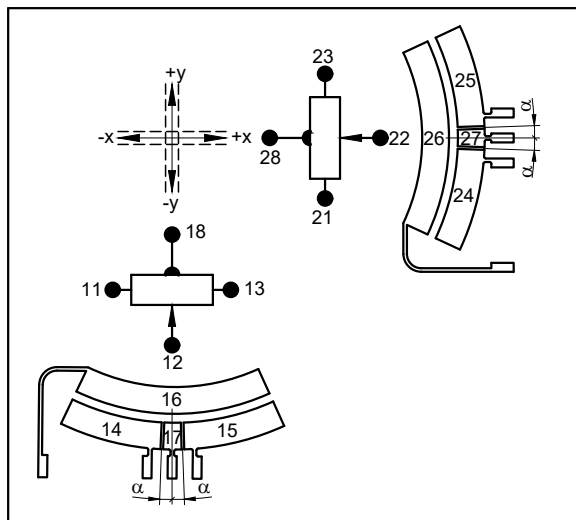
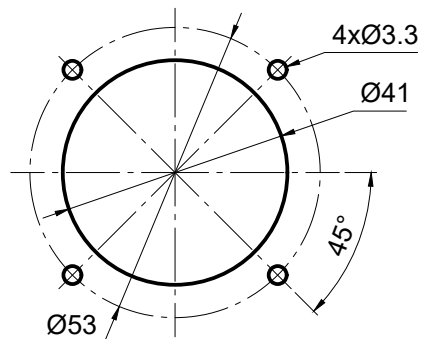


Description					
Joystick Type SK 197-0121					
Number of axes	2-axes, x-, y-axis				
Operation by	Rubber bellow				
Connector	Micro-Match, Female-on-Board Connector 2x 8-poles: P/N: 338069-8				
Cross guidance	soft				
Center tab	±1.75°				
Retaining spring	Middle, P/N: 60-112.03				
Switch function	1-1-1 per axis				
Switchpoint α	±2°				
Mechanical detents	none				
Electrical characteristics					
Resistance value	5 kOhm ± 20%				
Power dissipation	0.2 Watt at 40°C per axis				
Contact rating	Zero potential difference between segments 5 V DC, 5mA				
Operating voltage	30V DC max.				
Axes	Potentiometer	Switch function			
Direction	Colour/ number	Center tab	Joystick in mid-position		
x-axis	↑ +x	13	15	open	
	Wiper	12	18	16	17
	↓ -x	11		14	open
y-axis	↑ +y	23		25	open
	Wiper	22	28	26	27
	↓ -y	21		24	open

Panel mounting holes



		Maßstab 1:1 Position - Menge -			
All dimensions in mm		<h1>Joystick</h1>			
Datum Name Bearb. 19.10.22 Kiener M. Gepr. 20.02.24 AG					
		197-0121			
Erlenstrasse 32 CH-2555 Brigg Switzerland +41 32 652 33 30 info@gjoysticks.ch www.gjoysticks.ch		Blatt - Bl			
Idx	Änderungen	Datum	B'arb.	Gepr.	S:\Entwicklung\01_CAD-Daten\02_DWG\Dwg_SK197\Typenzeichnungen\197-0121.dwg